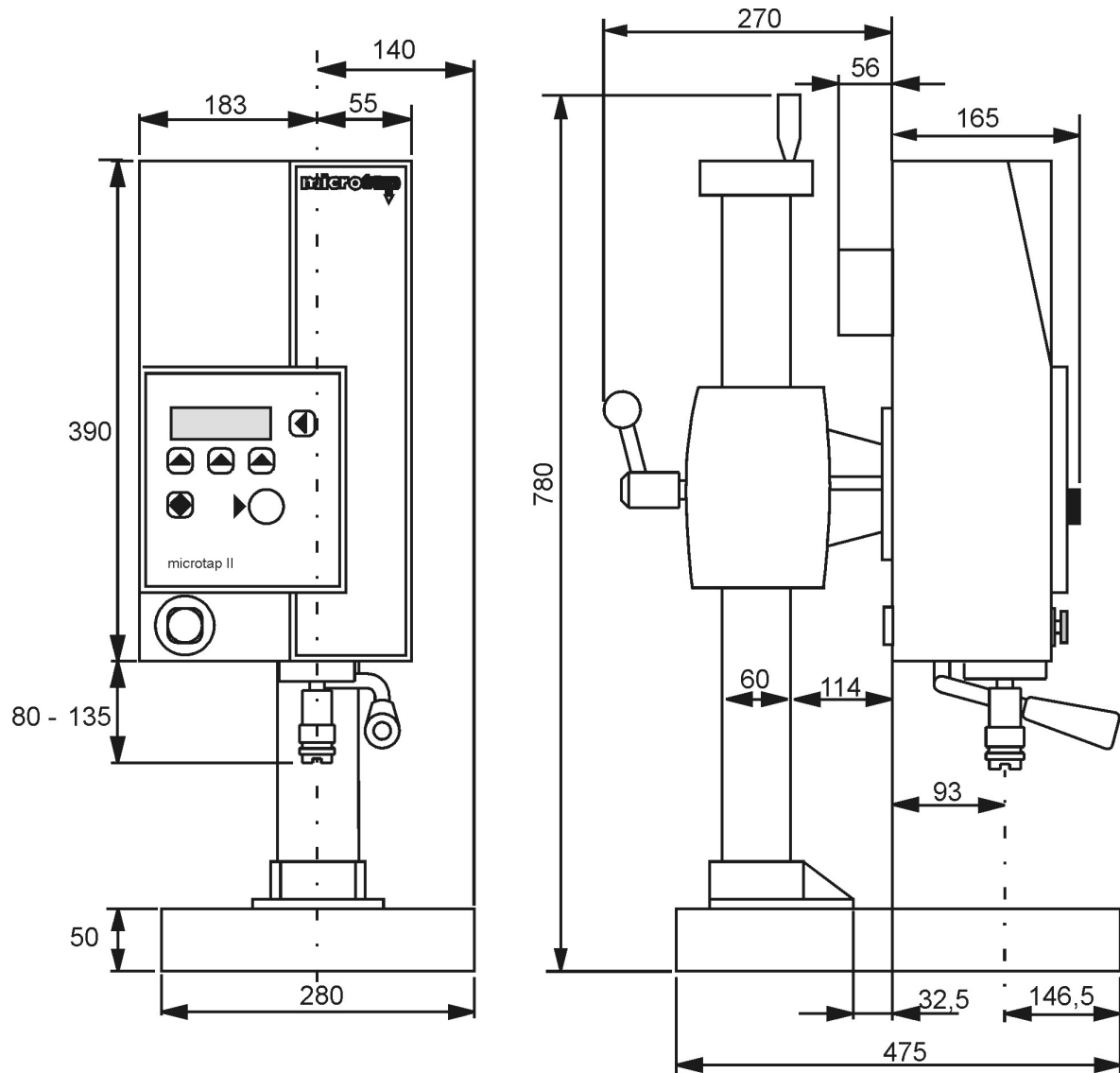


microtap II / jobtap



Distance tool holder – table max. 0 - 280 mm Abstand

Dimensions microtap II (unit: mm)